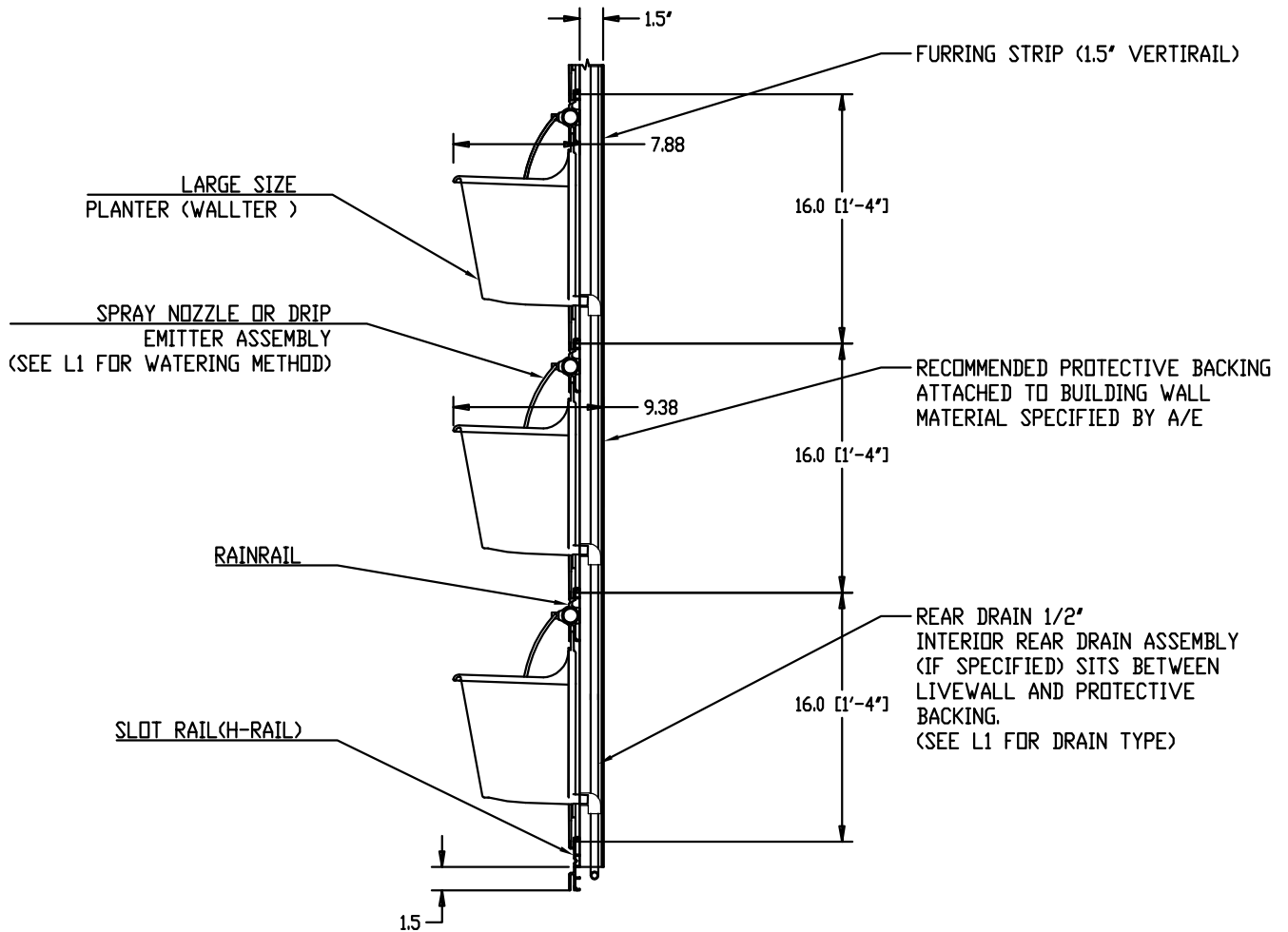


# LiveWall (Green Wall) Section SIDE VIEW - LARGE SIZE PLANTERS SIDE FEED IRRIGATION

L2S



CRITICAL - IF REAR DRAIN LEAVE A 1 1/2" GAP BETWEEN THE BOTTOM OF THE FURRING STRIP AND THE BOTTOM OF THE RAINRAIL, (SEE L1 FOR DRAIN TYPE)

- NOTES:
1. REFER TO L1 FOR PLANTER COLOR, WATERING METHOD AND DRAIN TYPE.
  2. REQUIRES 8" OR 16" ON SIDE FOR IRRIGATION FEED (CONFIRM WITH LIVEWALL TECHNICAL REP FOR SPECIFIC WALL LAYOUT).



LiveWall, LLC  
P.O. Box 533  
Spring Lake, MI. 49456

[www.livewall.com](http://www.livewall.com)

(877) 554-4065