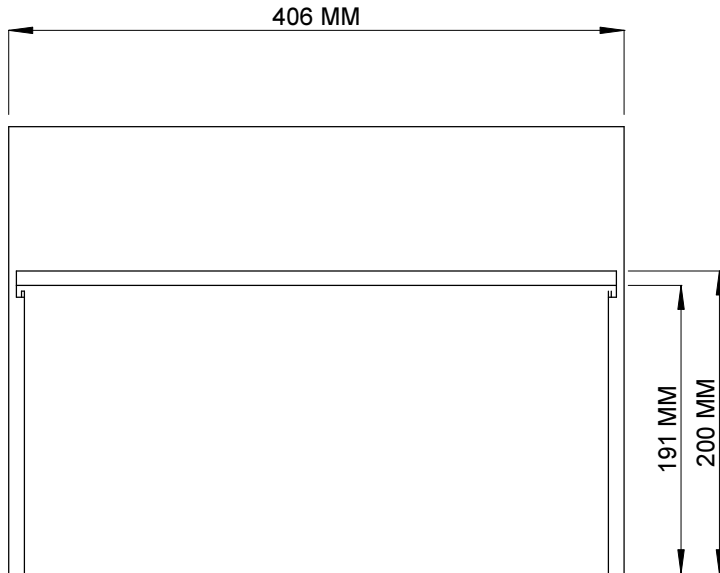
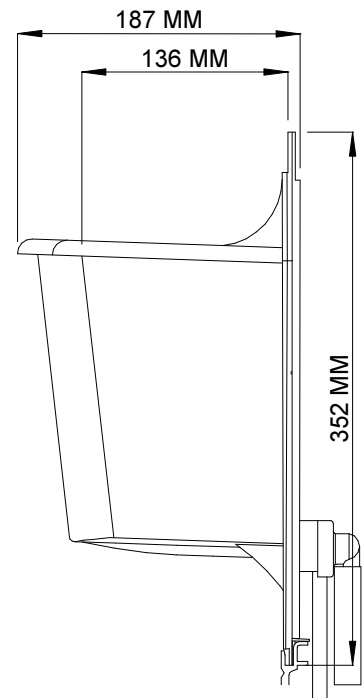


INTERIOR FULL SIZE (16") WALLTER

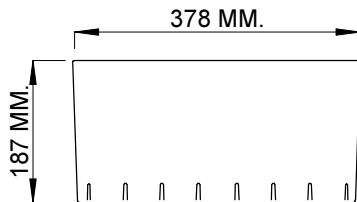
LW-W-9



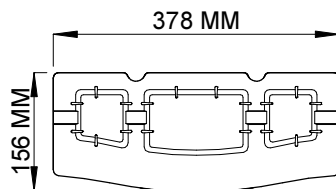
① FRONT ELEVATION
1 : 5



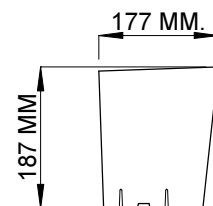
② SIDE ELEVATION
1 : 5



③ INSERT - FRONT
1 : 10



④ INSERT - TOP VIEW
1 : 10



⑤ INSERT - SIDE VIEW
1 : 10

NOTES:

- 1 - INTERIOR WALLTERS COME STANDARD WITH REAR DRAINAGE
- 2 - INTERIOR WALLTERS ARE AVAILABLE ONLY IN FULL SIZE (40 CM)

3. SELECT WALLTER COLORS:

- | | |
|-------------------------------------|---------------------------------------|
| <input type="checkbox"/> BLACK | <input type="checkbox"/> FOREST GREEN |
| <input type="checkbox"/> BLUE STONE | <input type="checkbox"/> SAGE |
| <input type="checkbox"/> COOL GRAY | <input type="checkbox"/> SAND |

4 - ALL WALLTERS ARE MADE FROM HIGH-IMPACT PLASTIC, WITH 20% RECYCLED POST-CONSUMER CONTENT AND NO VOC'S

5 - VOLUME OF INTERIOR WALLTER IS APPROXIMATELY 11.3 LITERS

LiveWall® BRAND

LiveWall, LLC
(877) 554-4065

P.O. Box 533
Spring Lake, MI 49456

www.livewall.com

USA