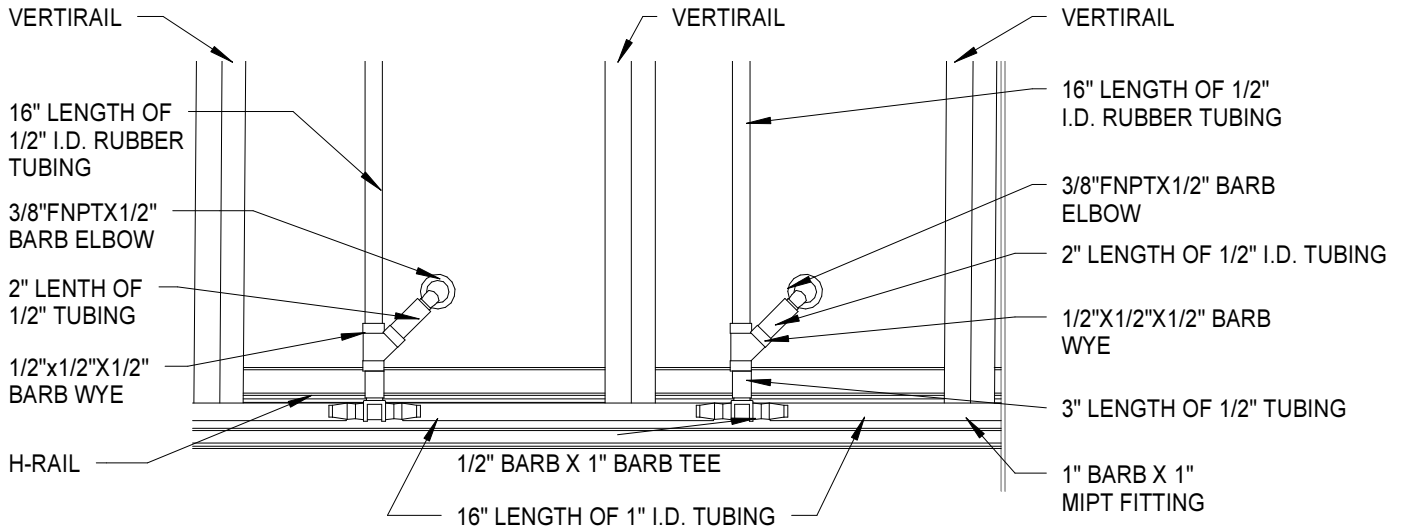
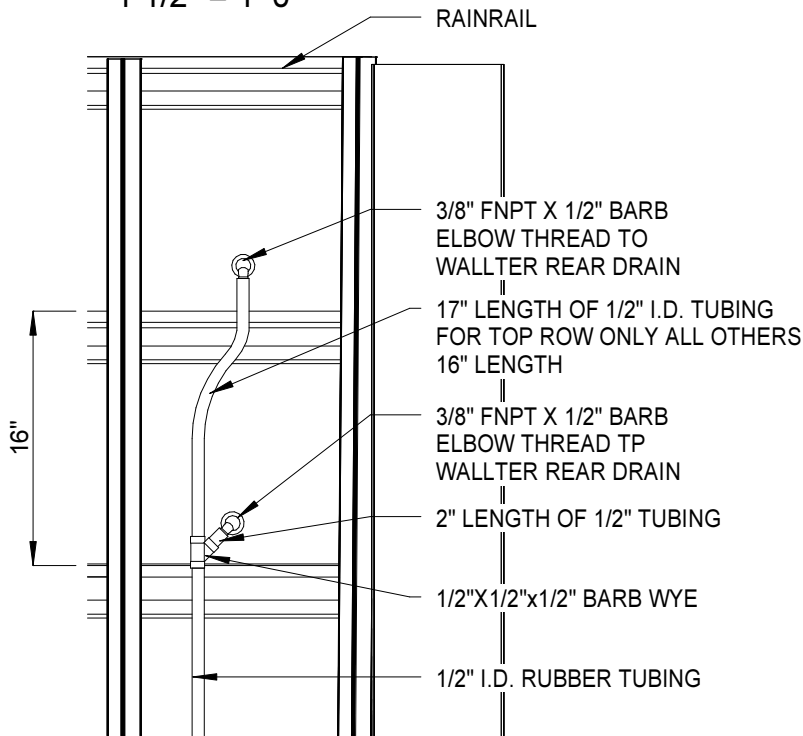


INTERIOR DRAINAGE ASSEMBLY-BACK VIEW

LW-D-4



① INTERIOR DRAINAGE ASSEMBLY MANIFOLD
1 1/2" = 1'-0"



② INTERIOR DRAINAGE ASSEMBLY BACK VIEW
1" = 1'-0"

NOTES:

- 1 - INTERIOR WALLTERS COME STANDARD WITH REAR DRAINAGE
- 2 - DRAINAGE ASSEMBLY REQUIRES CONNECTION TO STORM DRAIN OR MANUAL COLLECTION OF IRRIGATION OVERFLOW. CORRDINATE AS REQUIRED.

LiveWall[®] BRAND

LiveWall, LLC
(877) 554-4065

www.livewall.com

P.O. Box 533
Spring Lake, MI 49456
USA