

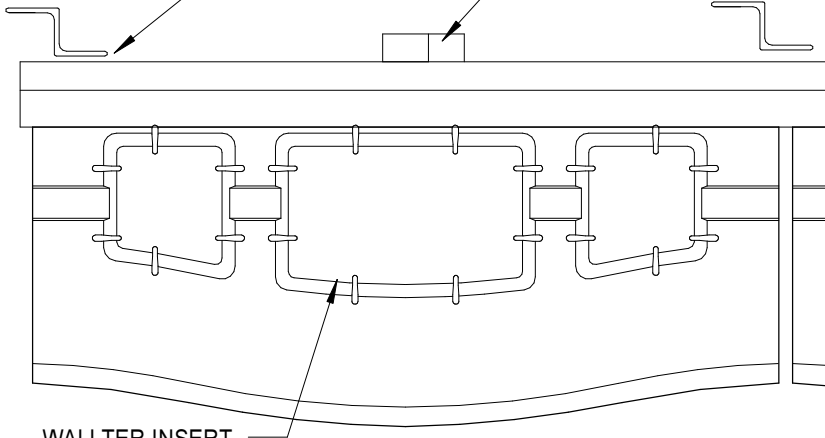
# INTERIOR DRAINAGE ASSEMBLY

LW-D-3

3/8" FNPT FEMALE ELBOW X 1/2" BARB

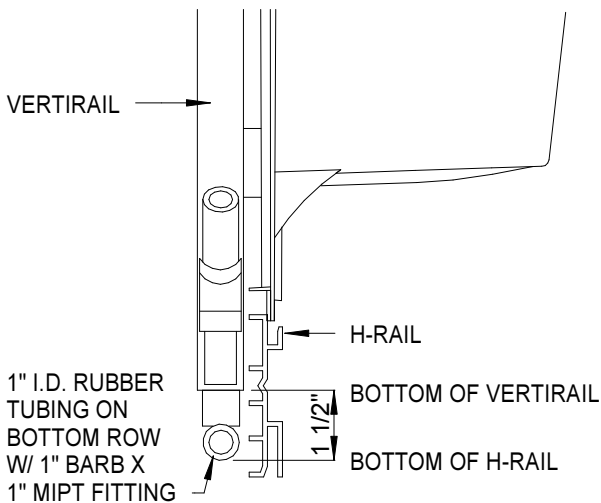
POSITIONED INSIDE EACH VERTIRAIL CHASE, AND EACH COLUMN CONNECTS AT BOTTOM H-RAIL WITH TEES

VERTIRAIL

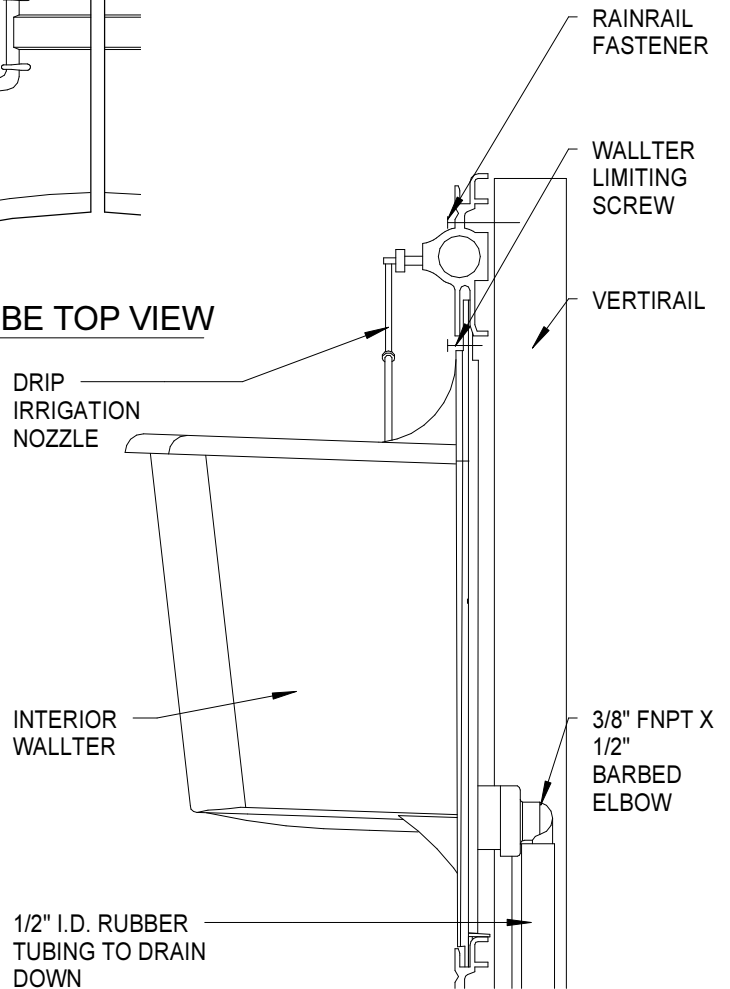


WALLTER INSERT

1 INTERIOR WALLTER REAR-DRAIN TUBE TOP VIEW  
3" = 1'-0"



2 END VIEW  
3" = 1'-0"



3 SIDE VIEW  
3" = 1'-0"

NOTES:  
1 - INTERIOR WALLTERS COME STANDARD WITH REAR DRAINAGE  
2 - DRAINAGE ASSEMBLY REQUIRES CONNECTION TO STORM DRAIN OR MANUAL COLLECTION OF IRRIGATION OVERFLOW. CORRDINATE AS REQUIRED.

**LiveWall** BRAND

LiveWall, LLC  
(877) 554-4065  
www.livewall.com

P.O. Box 533  
Spring Lake, MI 49456  
USA