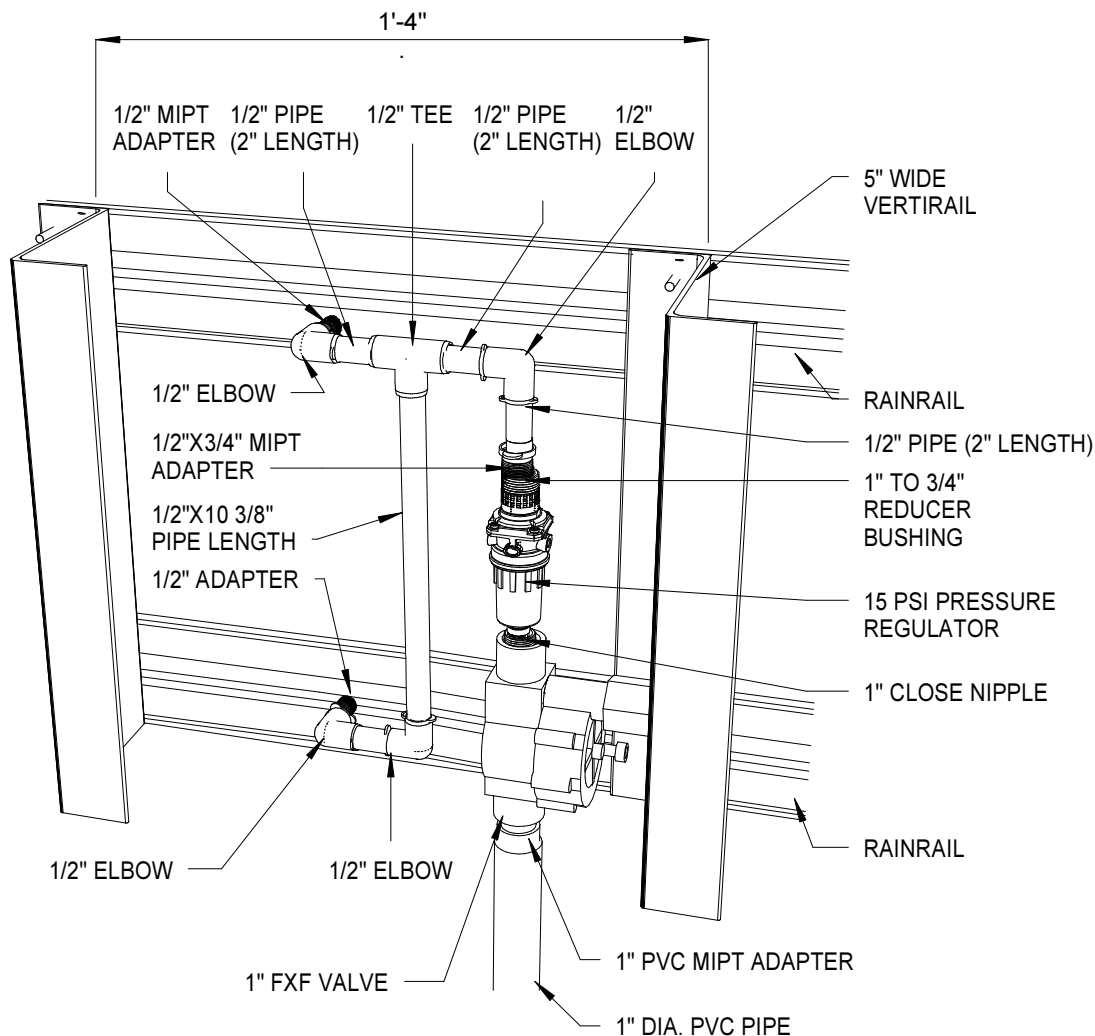


REAR - TAP IRRIGATION DETAIL OPTION 2

LW-I-6



1 REAR -TAP IRRIGATION DETAIL OPTION 2
1 1/2" = 1'-0"

NOTE:

1. CONTRACTOR TO SUPPLY UV RESISTANT PVC PIPE (SCH 80 GRAY) AND FITTINGS (SCH 40 GRAY) FROM MAIN LINE TO VALVE.

2. LIVEWALL TO SUPPLY FITTINGS AND PIPE FROM RAINRAIL TO VALVE.



LiveWall, LLC
(877) 554-4065

www.livewall.com

P.O. Box 533
Spring Lake, MI 49456
USA